

ILLAN

Design Zsuzsanna Horwath



Type: Wall

Light source: **D82A1TW:** LED 21W @ 2700K, CRI 90
dimmable phase cut
D82A1T: LED 21W @ 3000K, CRI 90
dimmable phase cut




Product use: Indoor

Materials: Extra flexible plywood

Colors: Birch

Description: The Illan wall lamp is formed by an element of die-cast aluminium attached to the wall, containing an LED source that emits a soft, warm glow upward. Attached to the casting, the structure in laser-cut layered wood, extremely thin and flexible (diameter 31 cm) clads the body of the lamp and determines the characteristic geometric design of Illan.

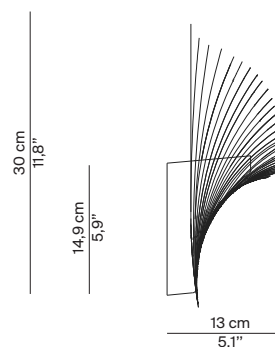
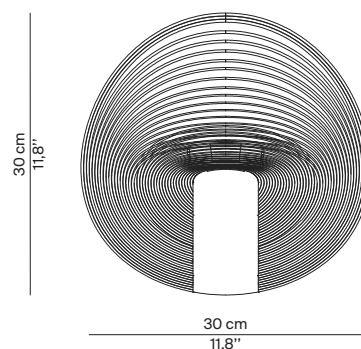


Insulation class and mark:   

Reference code: Structure 2700K
D82A1TW 1D82YA1TW099 birch

Reference code: Structure 3000K
D82A1T 1D82YA1T0099 birch

D82A1TW - D82A1T



Certification:

