

Ribes

SOFAS

2019

Antonio Citterio



Description

Ribes is a modular seating system that focuses on versatility, customisation, colour and research into materials. Sofas, central and end elements, chaise longues and ottomans all come in a huge variety of shapes and sizes that lend themselves to being arranged in an outdoor space according to personal taste thanks to the exceptional versatility of the modular components and the availability of a vast range of covers and finishes. The starting point is a futon base with flexible glass fibre slats resting on an aluminium frame to which two types of armrest or backrest can be attached as desired: one with a polypropylene fibre interlacing, the other with a roller cushion. On top are seat cushions intended as comfortable mattresses to stretch out on and several shapes of back and armrest cushion, all containing a new upholstery giving Ribes a particularly lived-in and soft look. Because it is so versatile, Ribes can also be reconfigured over time by adding new elements, as well as by altering the functional use of existing ones. By substituting, adding or varying the position of the back and armrests, a sommier can turn into a vis-à-vis sofa, a sofa can become an island, and a corner seating plan can transform into a comfortable bed. Ribes means transformation and is especially suited to those areas that are neither inside nor outside: verandas, shady patios, under a loggia or on a covered terrace, allowing a fluid approach to the open spaces in the home.

Technical information

Frame

die-cast aluminium and extrusions with polyester powder painting

Back and roller upholstery

polyester fiber recycled from PET, cover in water repellent polyester fibre

Seat upholstery

shaped polyurethane, polyester fiber recycled from PET, cover in water repellent polyester fibre

Interlacing

polypropylene fibre braid

Seat slats

glass fibre

Seat top section

solid wood

Ferrules

thermoplastic material

Waterproof cover cloth

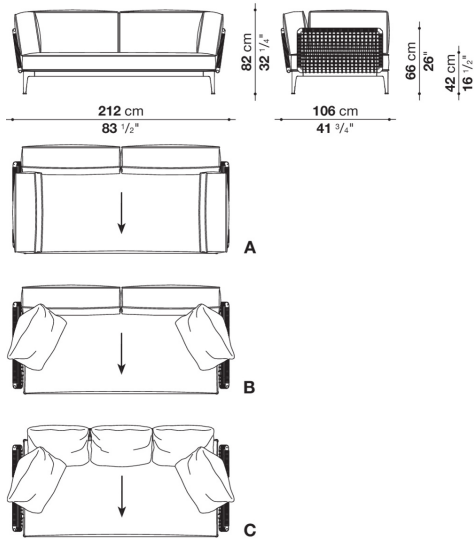
PES fabric coated on one side in PU

Cover

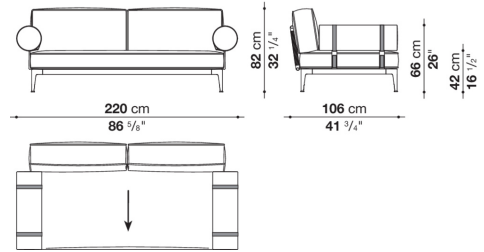
fabric in limited categories (with profile)

Technical drawings

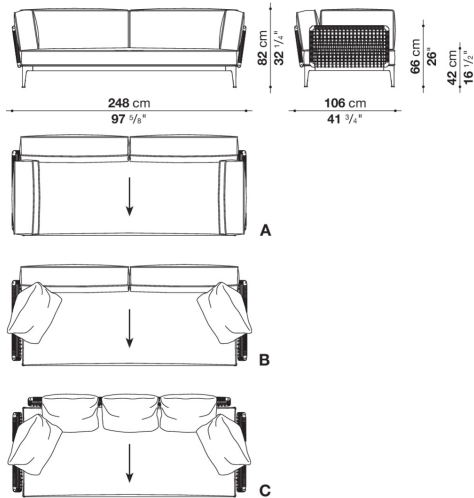
RB212



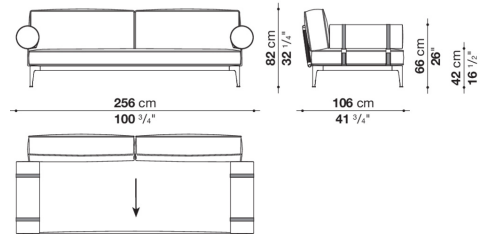
RBR220



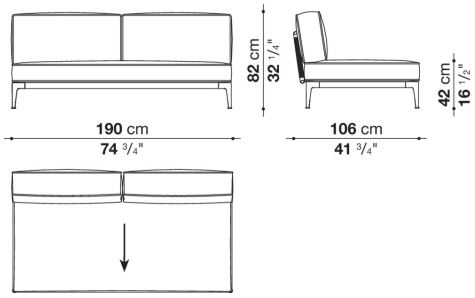
RB248



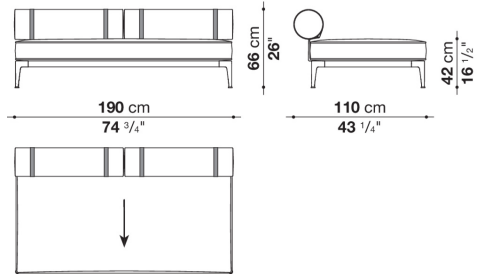
RBR256



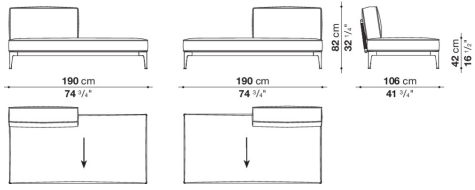
RB190C



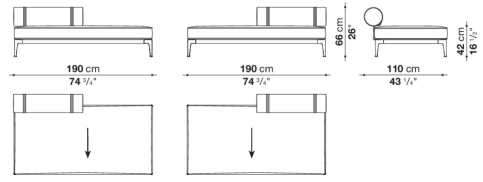
RBR190C



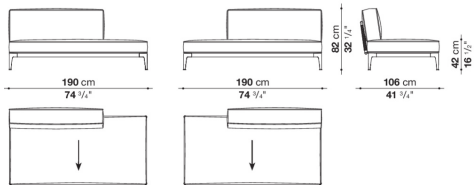
RB190PA_1



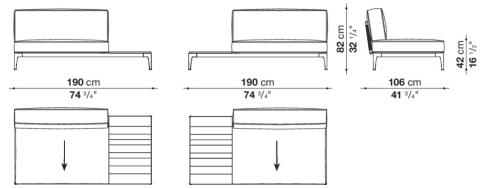
RBR190PA



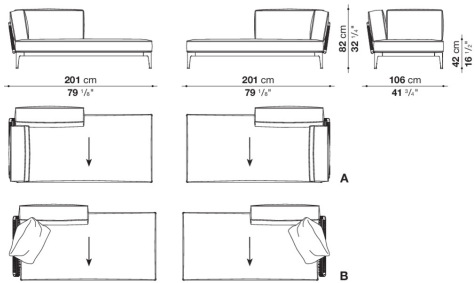
RB190PA_2



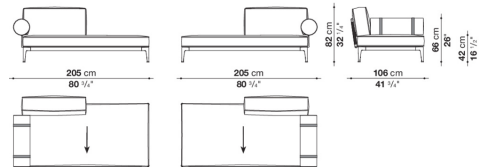
RB190PA_3



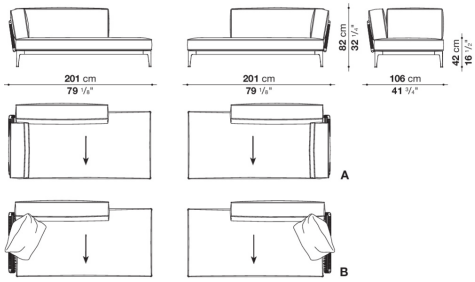
RB201T_1



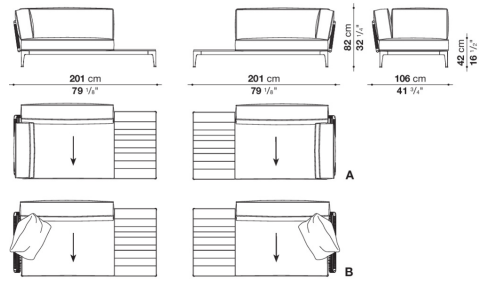
RBR205T_1



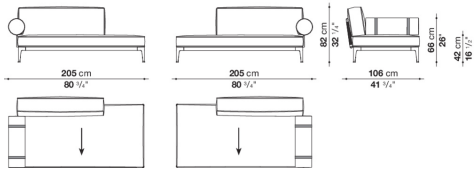
RB201T_2



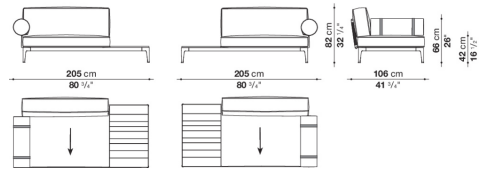
RB201T_4



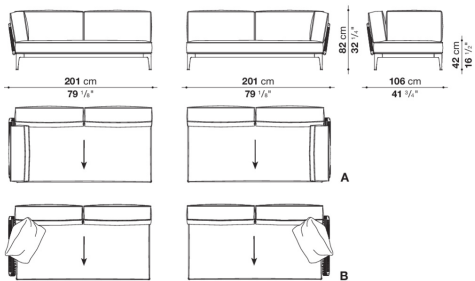
RBR205T_2



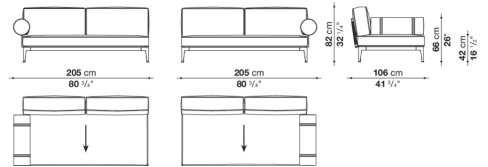
RBR205T_5



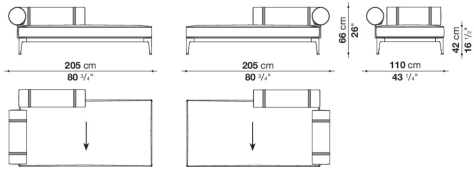
RB201T_3



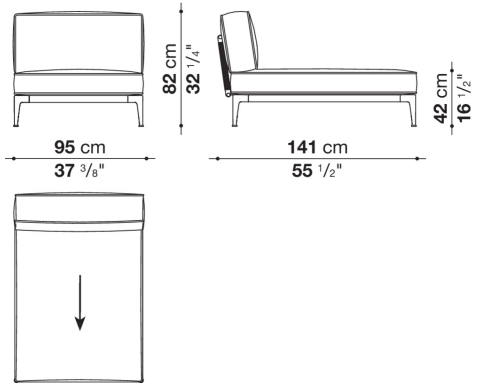
RBR205T_3



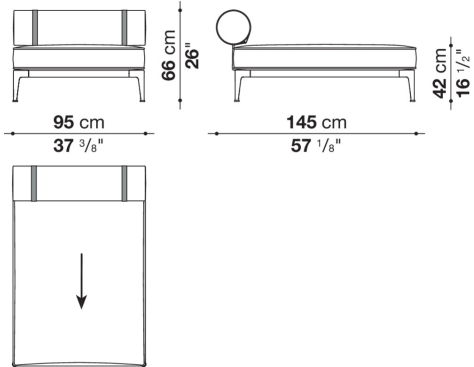
RBR205T_4



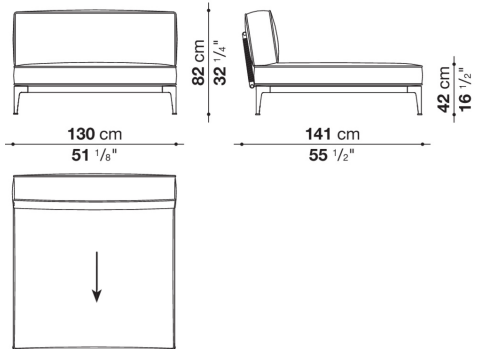
RB141L_1



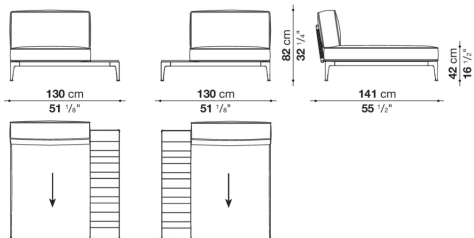
RBR145L



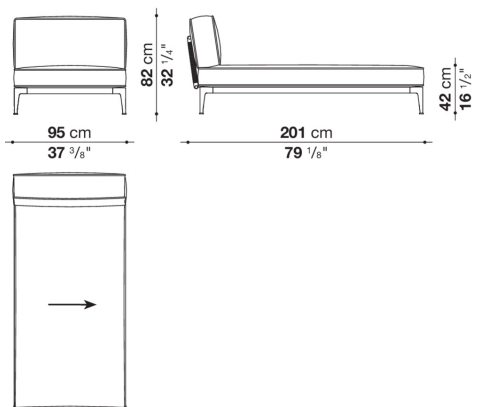
RB141L_2



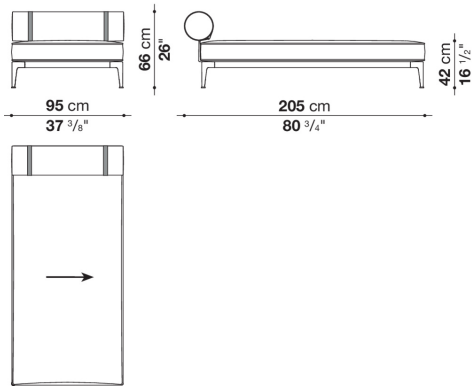
RB141L_3



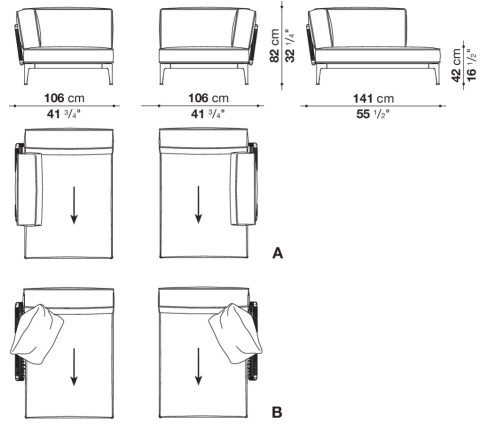
RB201L



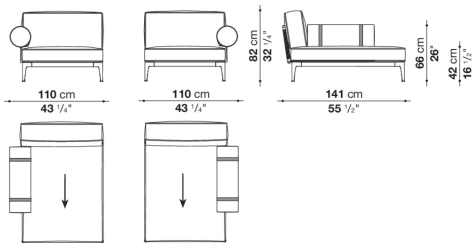
RBR205L



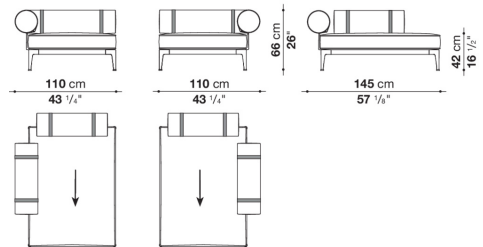
RB141LB_1



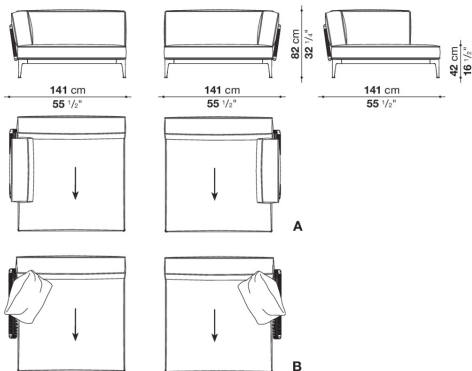
RBR141LB_1



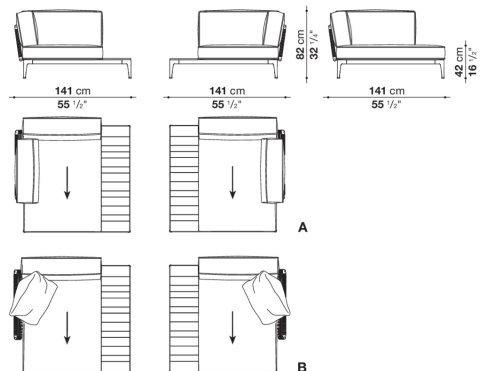
RBR145LB_1



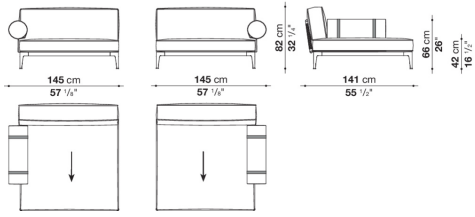
RB141LB_3



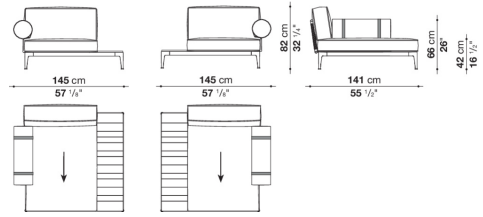
RB141LB_5



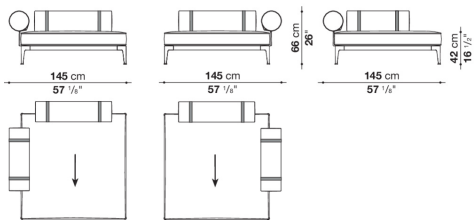
RBR141LB_2



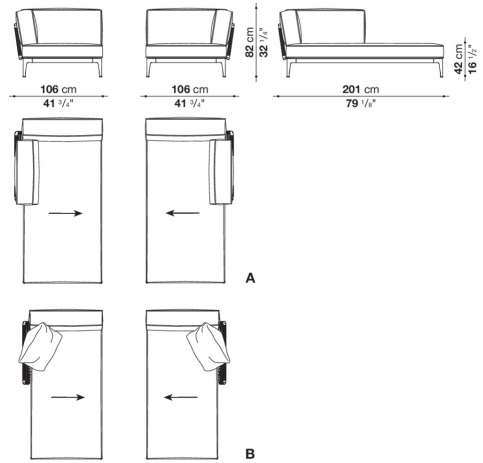
RBR141LB_3



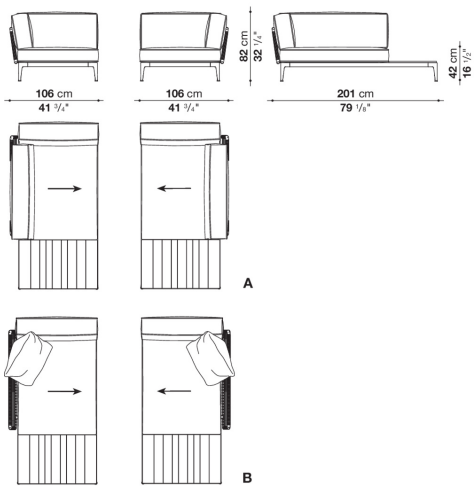
RBR145LB_2



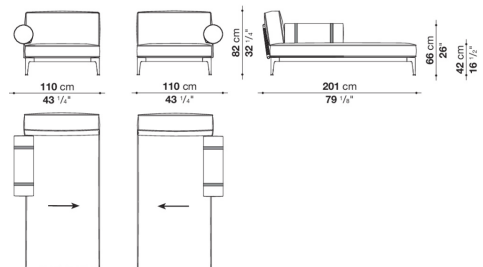
RB201LB_1



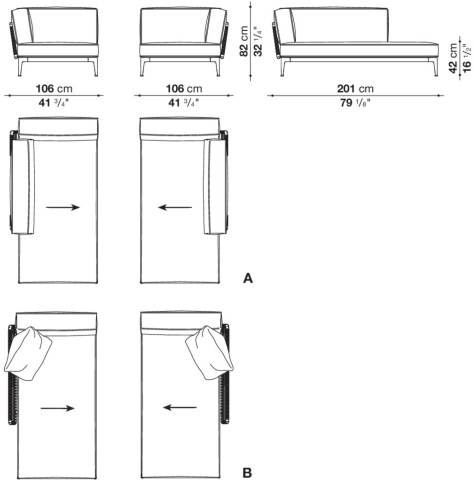
RB201LB_3



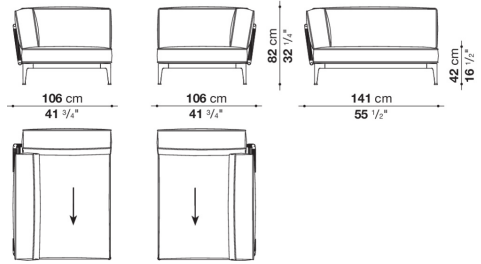
RBR201LB



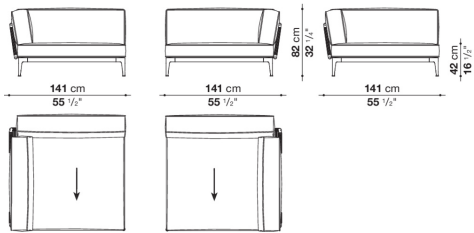
RB201LB_2



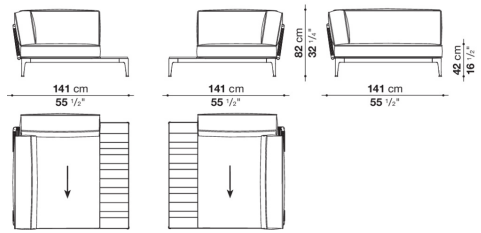
RB141LB_2



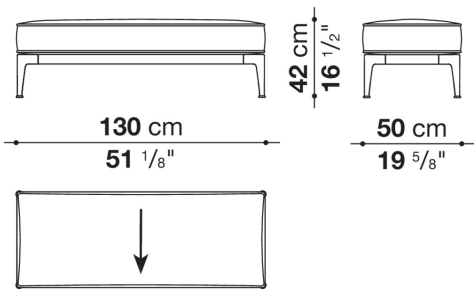
RB141LB_4



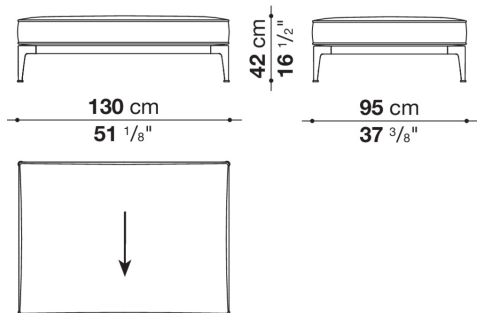
RB141LB_6



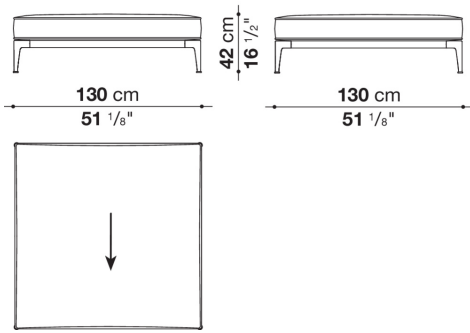
RB130P_1



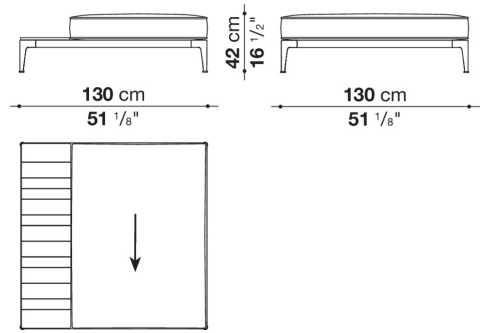
RB130P_2



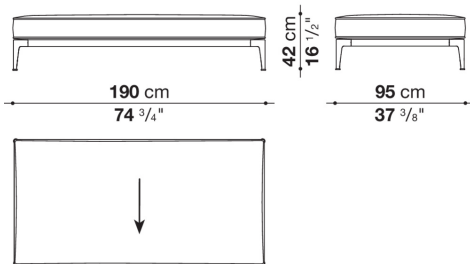
RB130PQ



RB130PQ_1



RB190P



RB190P_1

