

# Pushpam

TABLES

2018

Naoto Fukasawa



## Description

---

Pushpam is a collection of tables that stand out for their perfect formal balance and for the striking texture of their cement finish.

## Technical information

---

**Top and base-frame**

cement (Ultra High Performance Concrete)

**Coupling plate**

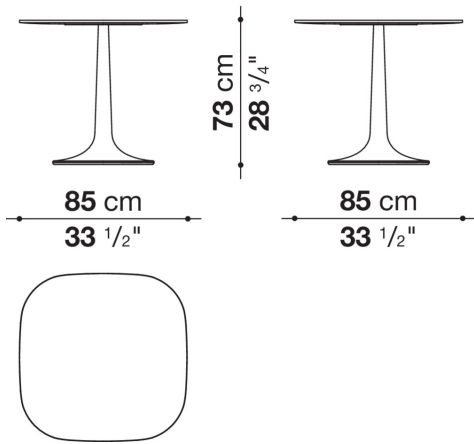
galvanized sheet

**Ferrules**

thermoplastic material

# Technical drawings

**TF85A**



**TF100RA**

