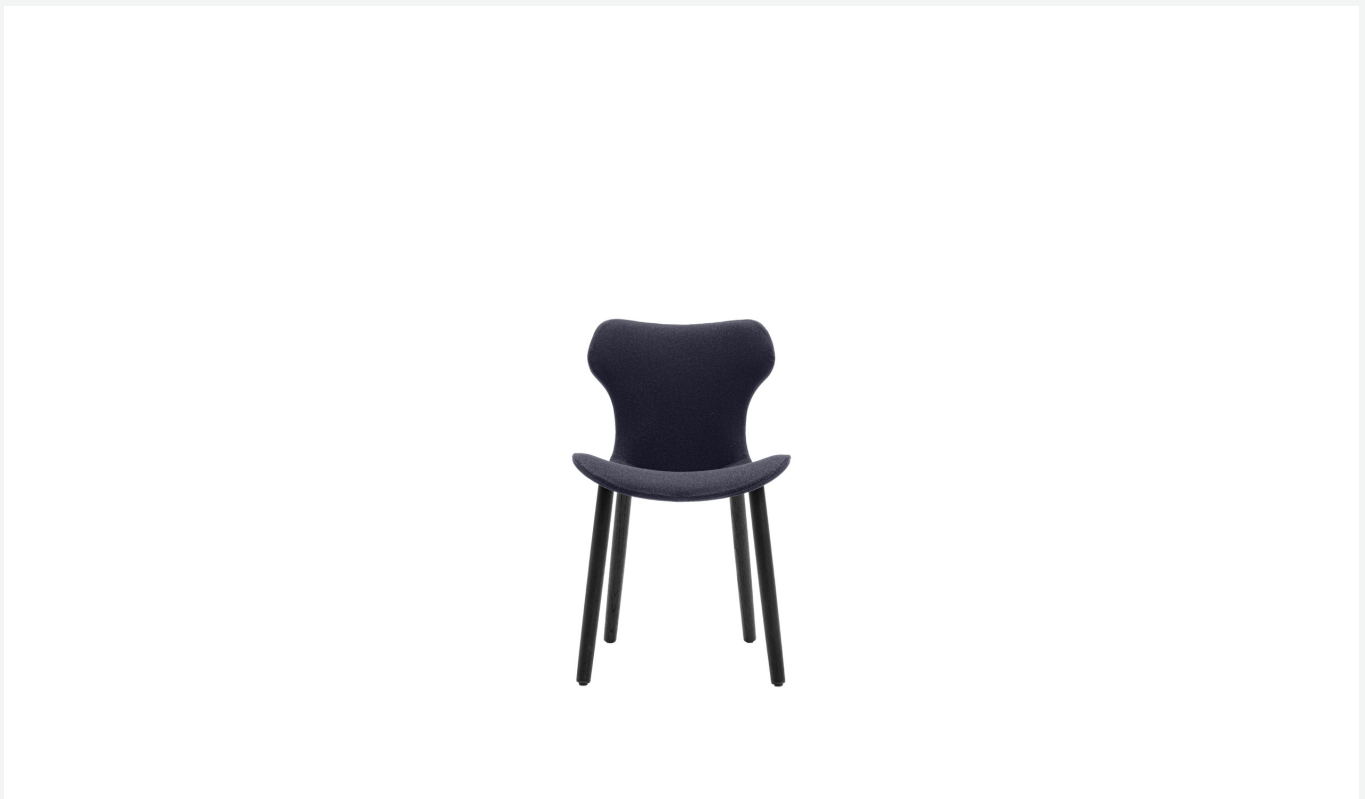


# Papilio Shell

CHAIRS

2015

Naoto Fukasawa



## Description

---

Forming part of the iconic seating collection of the same name, the Papilio Shell chair comes either with a shell entirely in polypropylene or with a shell padded and covered in fabric. The base comes in two versions: with four steel or wooden legs. The shape of the back of Papilio Shell calls to mind the multicoloured wings of a butterfly ready to take flight. It is this detail that inspired the name, "Papilio" being the Latin term for butterfly.

## Technical information

---

**Shell**

polypropylene

**Shell upholstery (PSH1-PSH2)**

shaped polyurethane, polyester fibre

**Support frame (SH1-PSH1)**

steel profiles

**Legs (SH2-PSH2)**

solid wood

**Double-side ferrules**

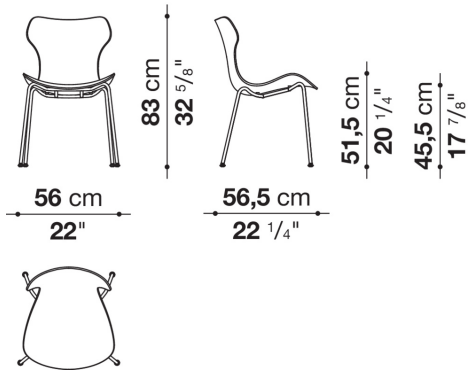
plastic material, felt

**Cover (PSH1-PSH2)**

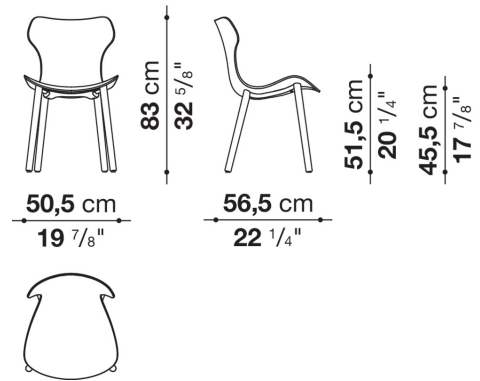
fabric in limited categories

# Technical drawings

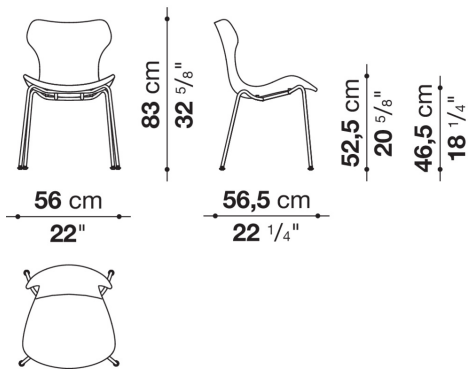
## SH1



## SH2



## PSH1



## PSH2

