

# Paladin Parasol 330 x 330, by Konstantin Grcic

kettal

## Paladin parasol 330 x 330

Designer  
Konstantin Grcic

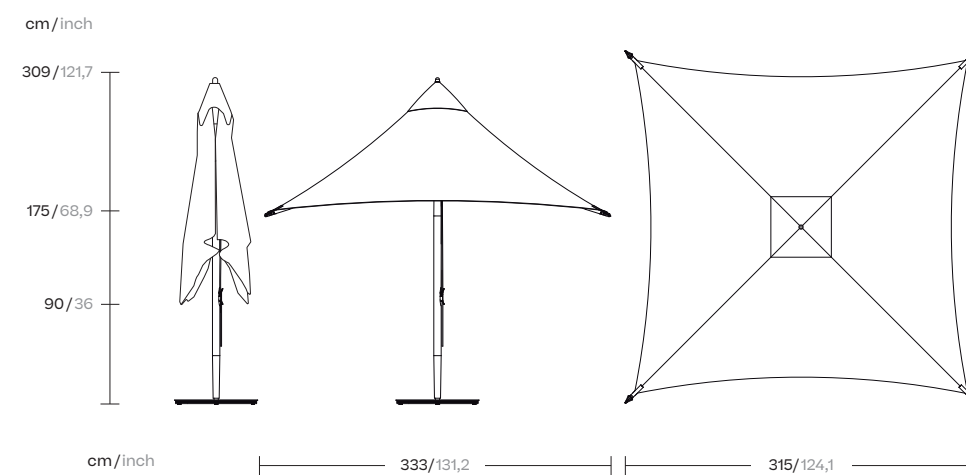
Collection  
Paladin

Reference  
KSB100100

1/3

Paladin is a wooden parasol for domestic and public use. Its canopy appears to be floating on top of an elegantly shaped mast. The design employs a mechanical principle which incorporates the tension of the canopy into its structural logic. With only the mast and four movable struts, the textile absorbs the tensile forces of the parasol when unfolded.

The mast goes right through the center of the canopy, leaving a central hole that is acting as an indirect skylight and allowing for air circulation.



kettal

## Paladin parasol 330 x 330

Designer  
Konstantin Grcic

Collection  
Paladin

Reference  
KSB100100

2/3

### Materials

Teak  
Eco-friendly, A-grade

Terrain Elements  
100% Fire Retardant Dyed Acrylic, IMO FTP Code 2010 Part 8, Abrasion resistance (Martindale) 60.000 cycles, Fluorocarbon-free water repellent finish Mildew, chlorine and seawater resistant

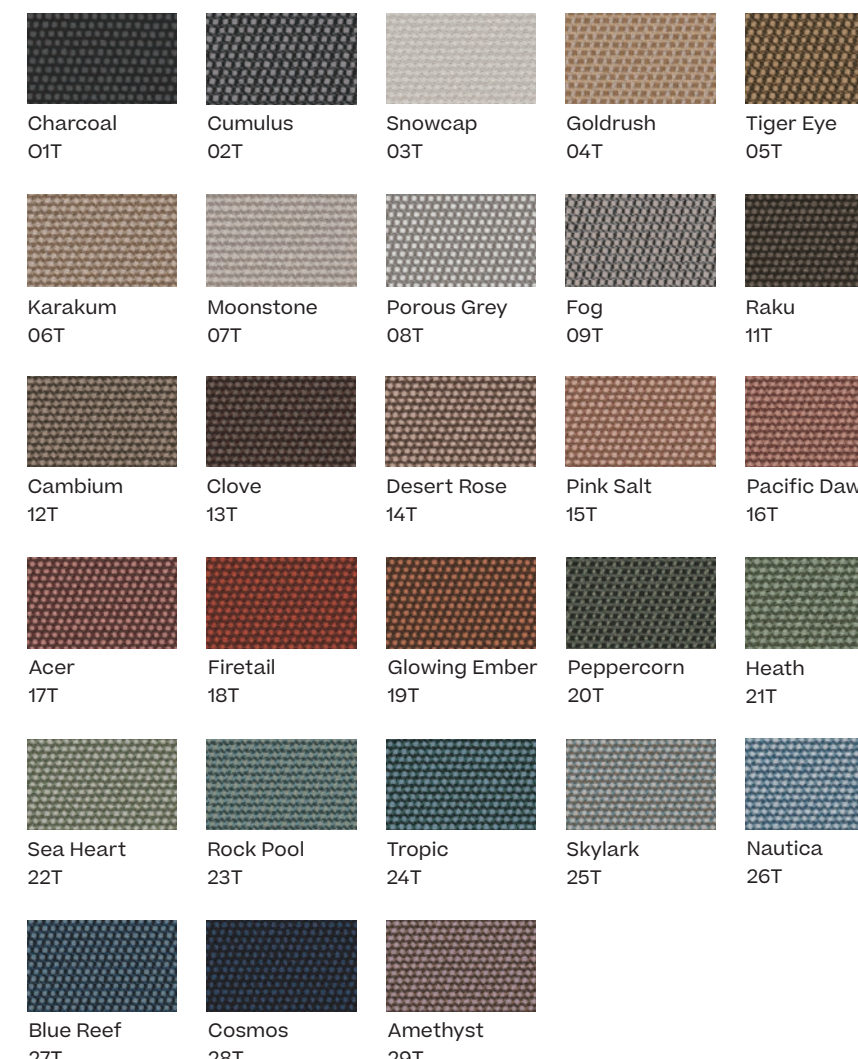
Parallel Fabric  
Heavy Load 100.000 Cycles, Heavy Load Resistant 1000 Decitex, Kettalize-It, Resist U.v. En-581-4, Easy Clean, Abrasion, Resistance 30.000 Cycles, Quickdry

### Maintenance

Clean with mild soap using sponge or cloth. Be gentle while cleaning, do not scrub aggressively the fabric. Once cleaned please make sure you remove soap excess. In case of aggressive stains clean with diluted household bleach. Clean stains promptly. The longer it remains, more difficult will be to remove.

Once cleaned the fabric steam iron the fabric. Just use steam, be carefull NOT placing the iron directly in the fabric it will get damage.

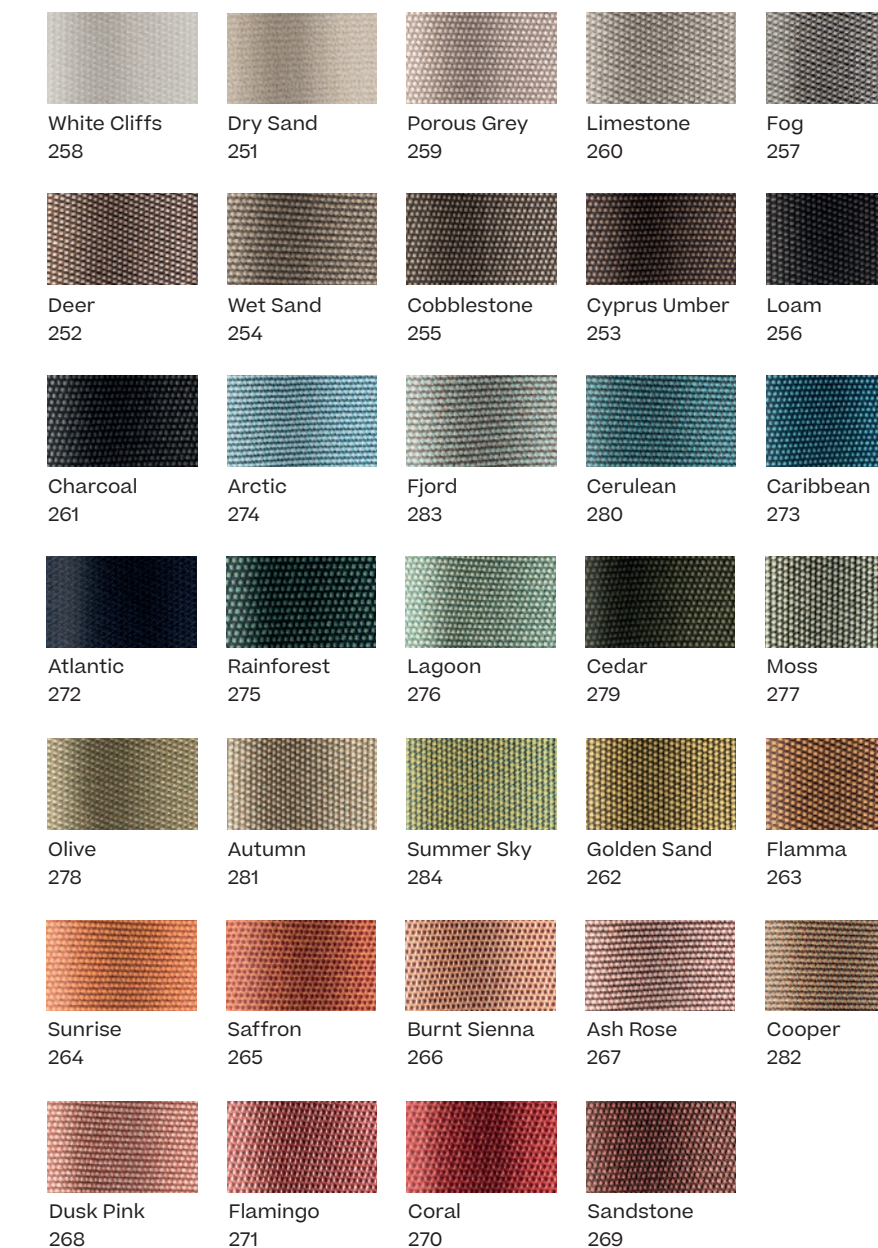
### Fabric Colour Options



### Terrain Elements No Laminate



### Fabric Options



### Terrain Fabrics No Laminate

kettal

kettal

3/3

# Paladin Modular round steel base, by Konstantin Grcic

kettal

## Modular round steel base

Designer  
Konstantin Grcic

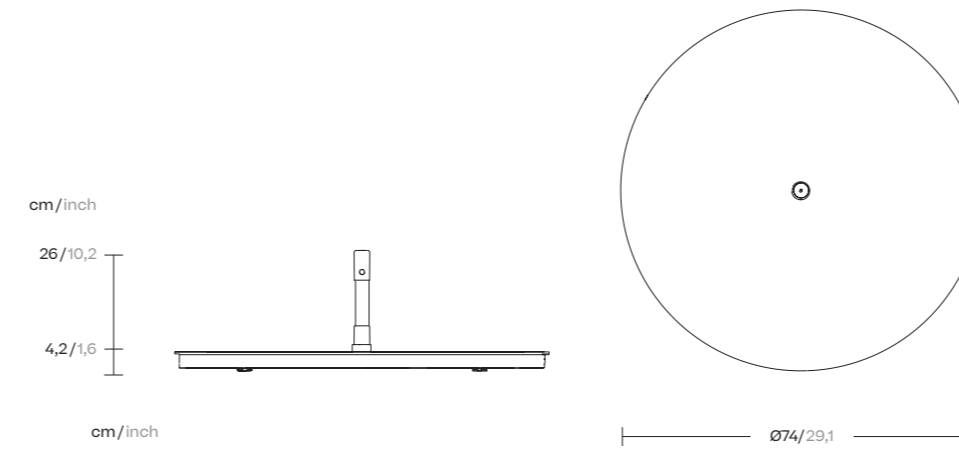
Collection  
Paladin

Reference  
B1929-014-DM

1/2

Paladin is a wooden parasol for domestic and public use. Its canopy appears to be floating on top of an elegantly shaped mast. The design employs a mechanical principle which incorporates the tension of the canopy into its structural logic. With only the mast and four movable struts, the textile absorbs the tensile forces of the parasol when unfolded.

The mast goes right through the center of the canopy, leaving a central hole that is acting as an indirect skylight and allowing for air circulation.



kettal

## Modular round steel base

Designer  
Kettal Studio

Collection  
Paladin

Reference  
B1929-014-DM

2/2

### Materials

Steel

### Weight

Modular round steel base  
60 Kg / 132,2Lbs

Extra weight modular round  
steel base  
40 Kg / 88,1 Lbs

Maximum 2 extra weight,  
total 140 Kg

### Other Characteristics

Adjustable legs

### Maintenance

Clean with mild soap using sponge or cloth. Be gentle while cleaning, do not scrub aggressively the fabric. Once cleaned please make sure you remove soap excess.

In case of aggressive stains clean with diluted household bleach.

Clean stains promptly. The longer it remains, more difficult will be to remove.

Once cleaned the fabric steam iron the fabric. Just use steam, be carefull NOT placing the iron directly in the fabric it will get damage.

### Finish

Steel



Steel

kettal