

Elios

SMALL TABLES

2002

Antonio Citterio



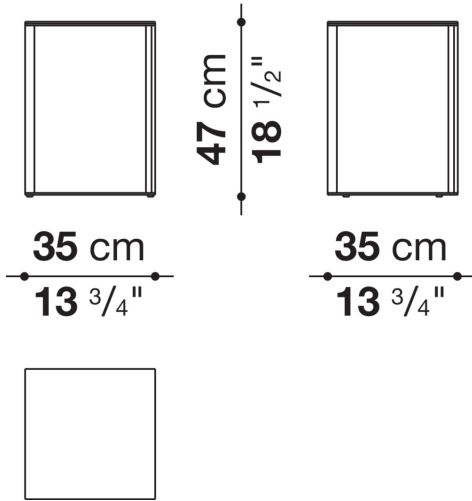
Description

Elegant multipurpose small tables with round, square and oval top. The square versions are available in gradually decreasing heights; the round versions offers an ottoman with a wooden top. The 2023 addition to the series of Elios small tables, with circular base and vertical steel uprights in different finishes, is designed specifically to be placed in front of the sofa or right at the break in the sofa backrest. Ideal for resting your tablet, diary, or cocktail on. It is available in either an oval or round shape, with or without the removable oak tray, which comes in different finishes or shellac.

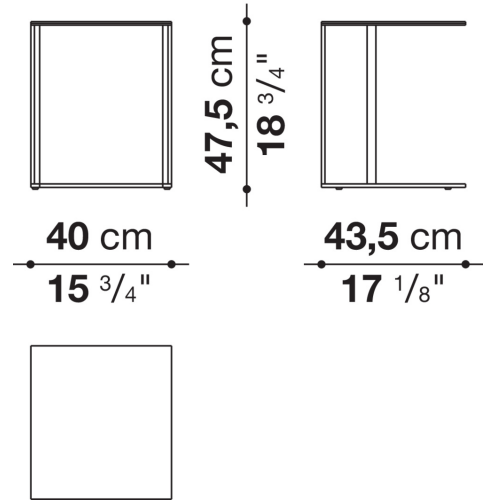
Technical information

Top
mirror with protective safety film or tempered glass
Top (SMPT3)
solid wood
Tray (TME4_V-TME6_V)
hard polyurethane or solid wood and MDF wood fibre panel
Frame
steel profiles
Ferrules
plastic material and felt

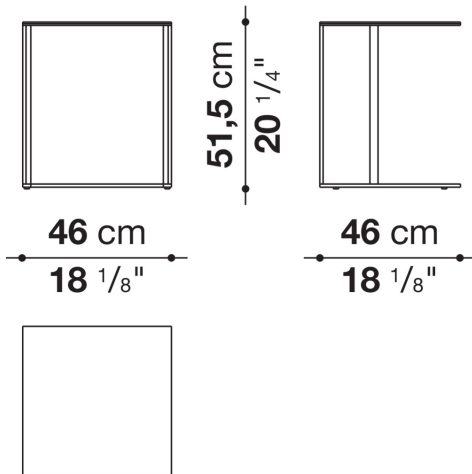
SMTM1S



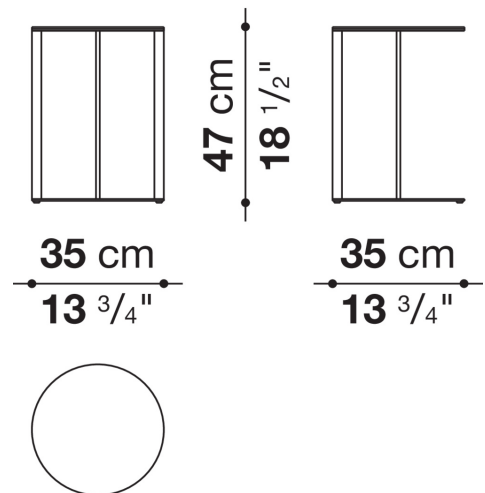
SMTM2S



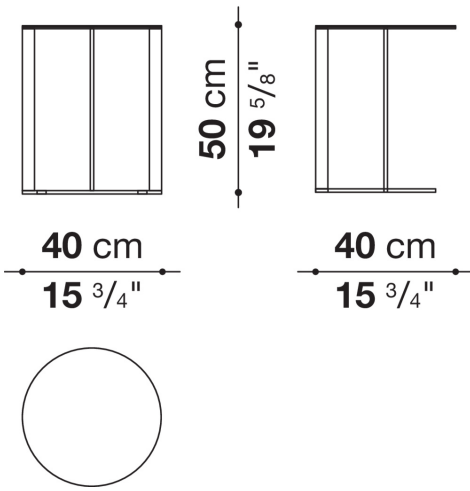
SMTM3S



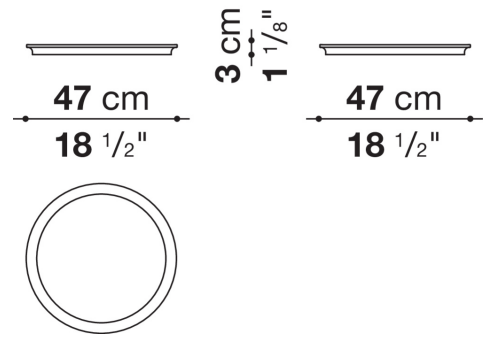
SMTT3BS



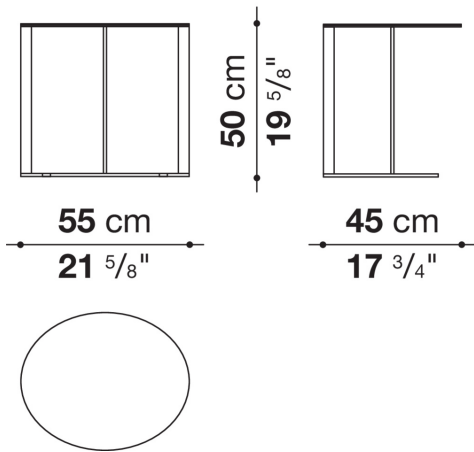
TME4



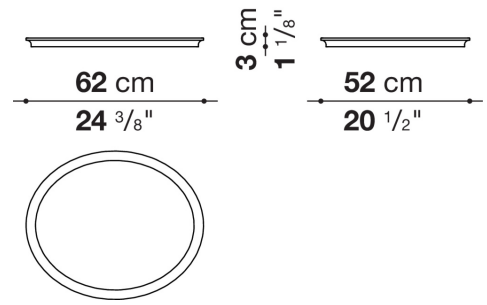
TME4_V



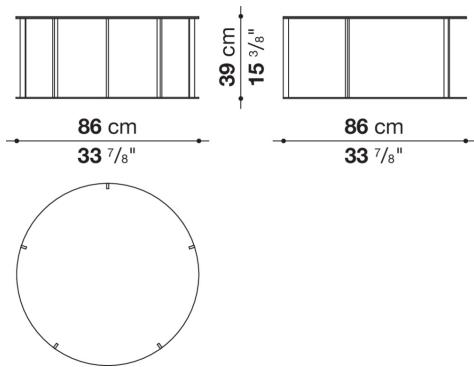
TME6



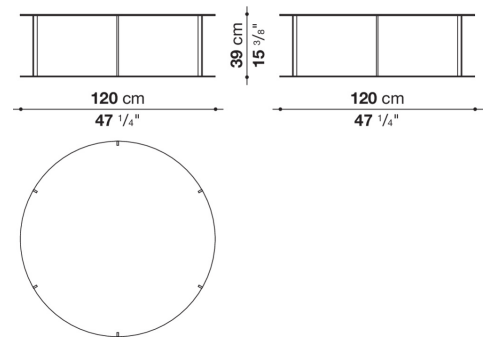
TME6_V



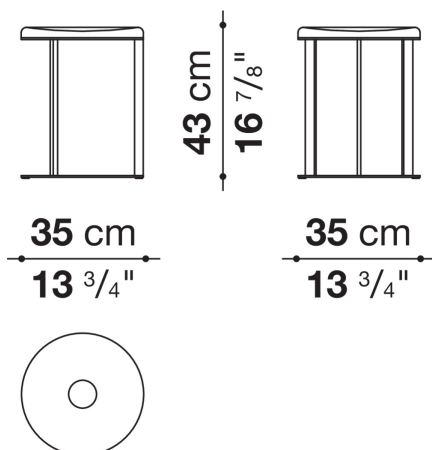
TME8



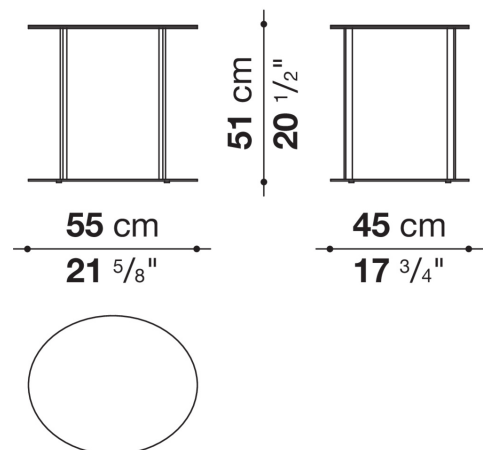
TME12

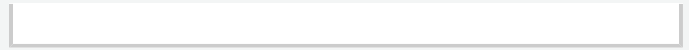
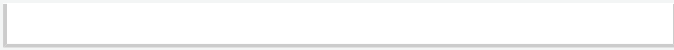


SMPT3



SMT05S





SMTT3S

