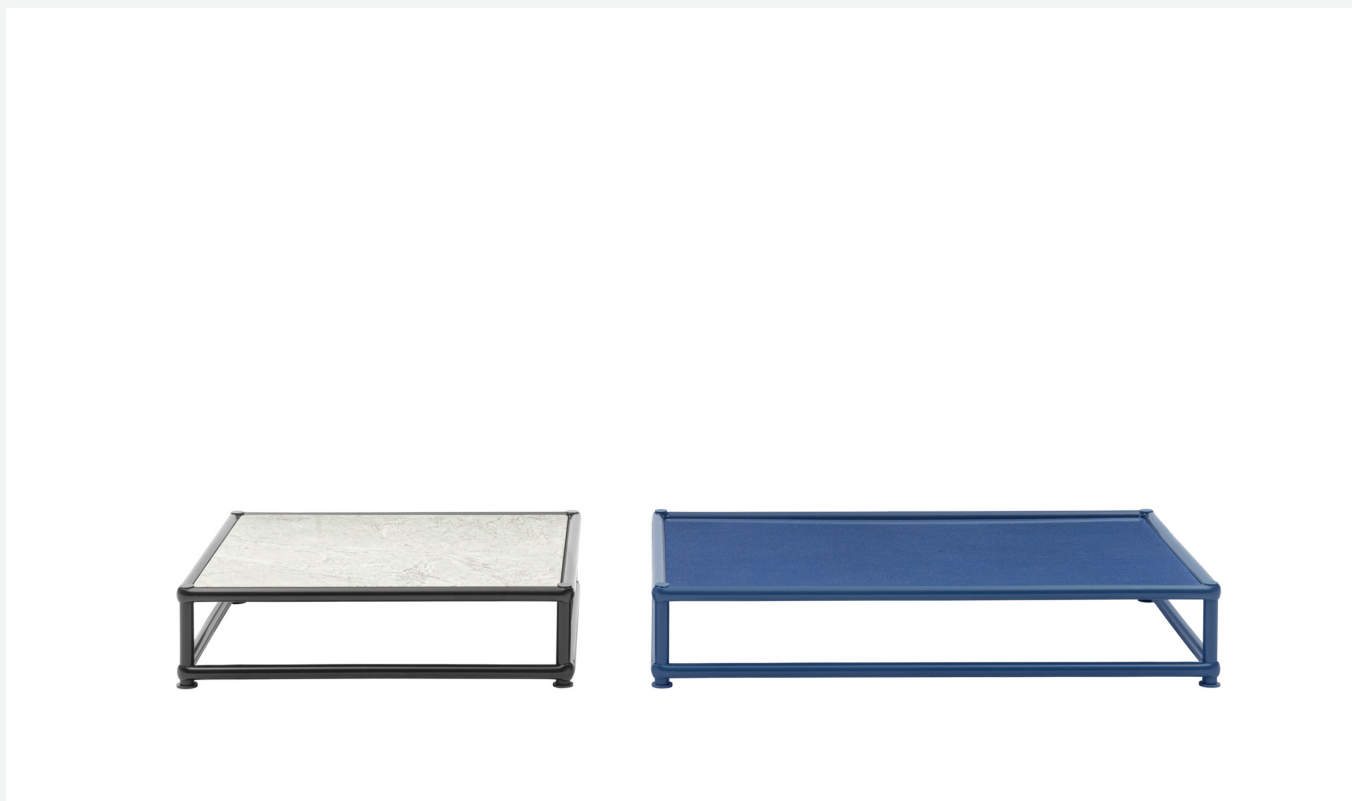


# Nooch

SMALL TABLES

2023

Piero Lissoni



## Description

---

A low table with a linear design underlined by tubular elements in recycled aluminium. It is available in a square or rectangular version with tops in serpentine stone or in enamelled lava stone in different colours to match the semi-gloss finishes of the structure.

## Technical information

---

**Frame**

die-cast aluminium and extrusions

**Top**

Serpentine stone or enamelled lava stone

**Ferrules**

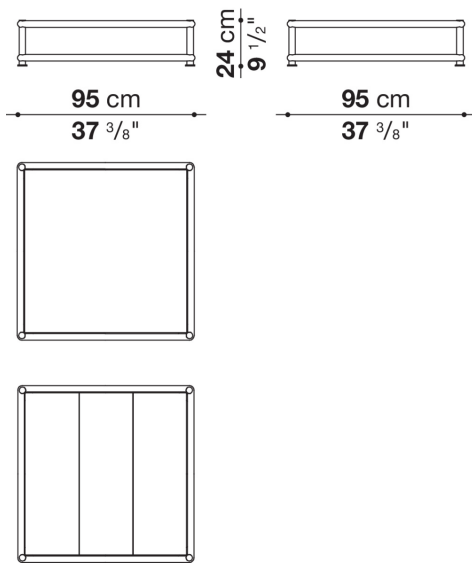
thermoplastic elastomer

**Waterproof cover cloth**

PES fabric coated on one side in PU

# Technical drawings

## TNH95Q



## TNH136

