

Nooch

SOFAS

2023

Piero Lissoni



Description

After the great success of Borea, Piero Lissoni and B&B Italia continue to pursue research and sustainability in the outdoor sector, creating Nooch, a modular seating system whose name is inspired by the tropical botanical garden of Nong Nooch in Thailand. Its key feature is the tubular structure in recycled aluminium, a light and strong material, completely recyclable. A choice inspired by simplicity, which recalls elementary tubular structures and ennobles them with a design that pays attention to every detail. The intersection of the structural elements represents the iconic feature of this collection, with the particular elbow curve achieved by the way the aluminium bends. A design and engineering detail that combines function and beauty. Nooch is a system that offers the possibility of creating infinite combinations from two base modules: a rectangular one and a square one. Both can be equipped with backrests and armrests and have an aluminium top with slats on which the cushions rest. The modules can be arranged as free-standing units or attached firmly together by means of special interlocking joints so as to create a variety of configurations. A series of additional top sections, to be inserted between the elements, offers even greater compositional freedom. The paddings are designed with sustainability in mind. They use regenerated materials, which are completely separable, and consist of two layers of polyurethane with different densities and firmness: one layer made of polyurethane recycled from production waste and one made of virgin bio-polyurethane, both wrapped in an outer sheath of recycled PET. The system is completed by a small round service element to be inserted between the cushions to offer further support and a particular backrest/armrest cushion to be inserted between the elements to create inverted and double-sided seats.

Technical information

Frame

die-cast aluminium and extrusions

Back and seat upholstery

shaped polyurethane, biodegradable polyester fibre recycled from PET, cover in water repellent polyester fibre

Cushion upholstery (NH60_60C)

biodegradable polyester fibre recycled from PET, cover in water repellent polyester fibre

Armrest support (NH60_SB)

shaped polyurethane, cover in water repellent polyester fibre

Top section and service element

Serpentine stone or solid wood

Spacers

plastic material

Ferrules

thermoplastic elastomer

Waterproof cover cloth

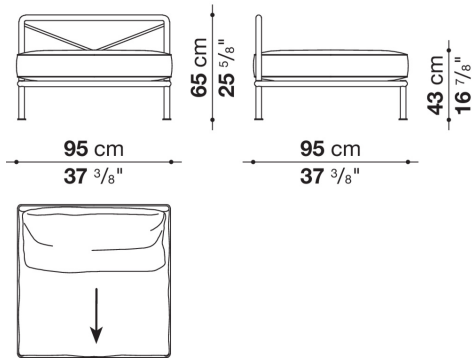
PES fabric coated on one side in PU

Cover

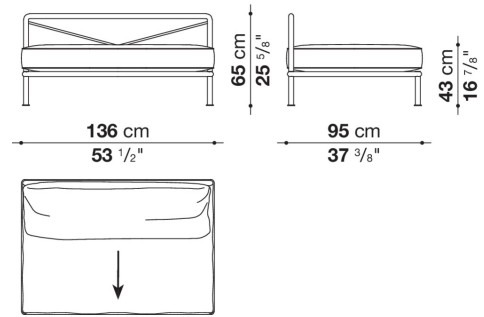
fabric in limited categories

Technical drawings

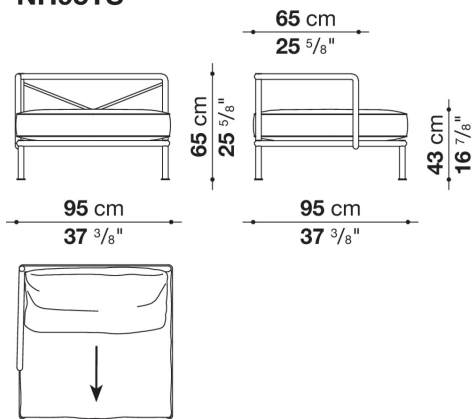
NH95C



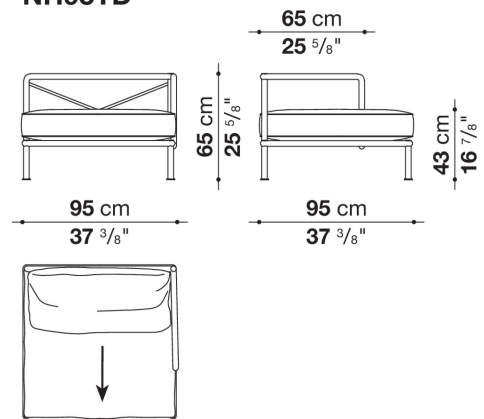
NH136C



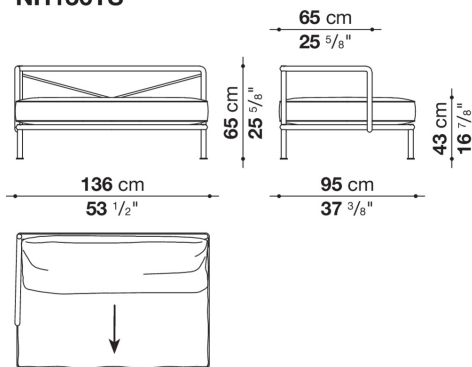
NH95TS



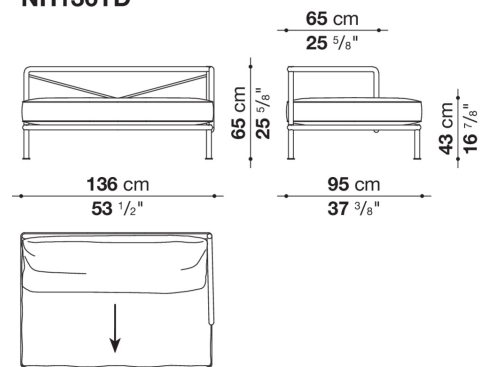
NH95TD



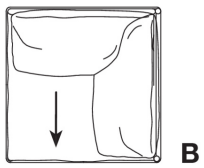
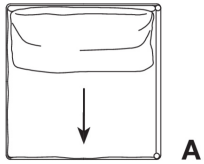
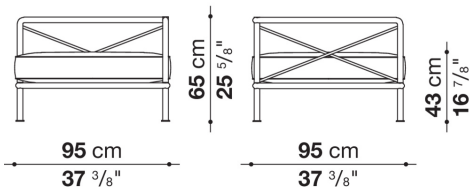
NH136TS



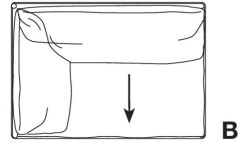
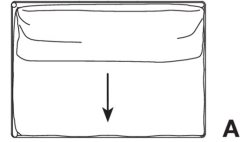
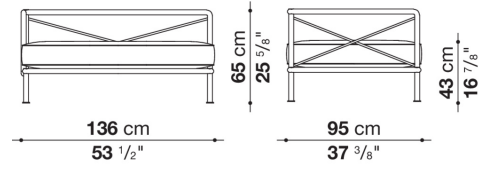
NH136TD



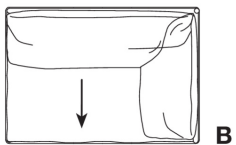
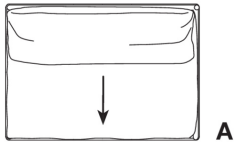
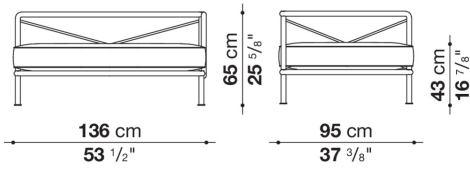
NH95A



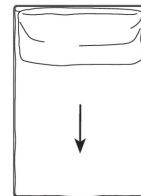
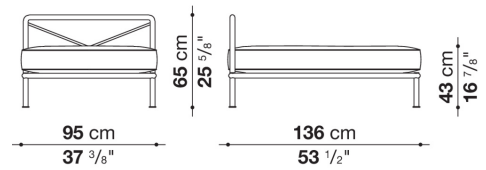
NH136AS



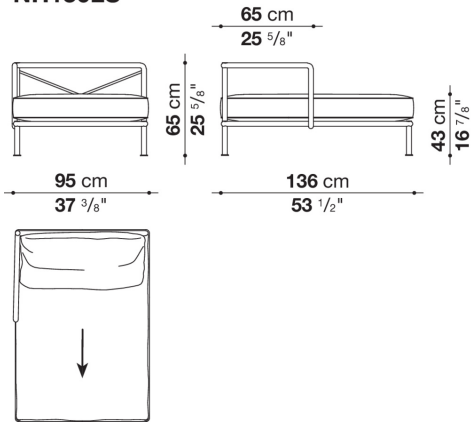
NH136AD



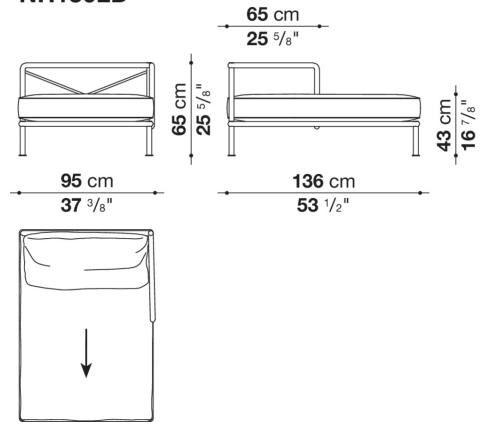
NH136L



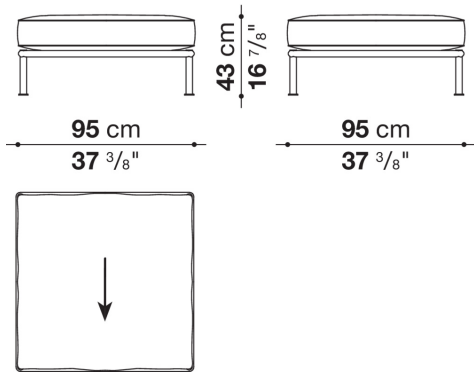
NH136LS



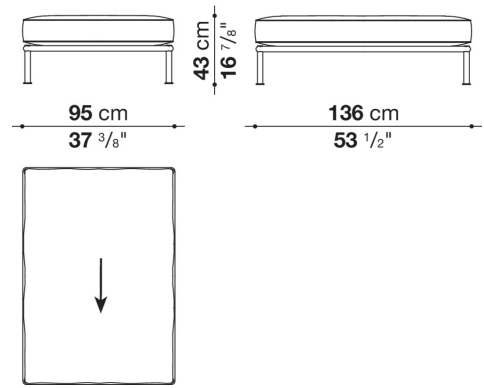
NH136LD



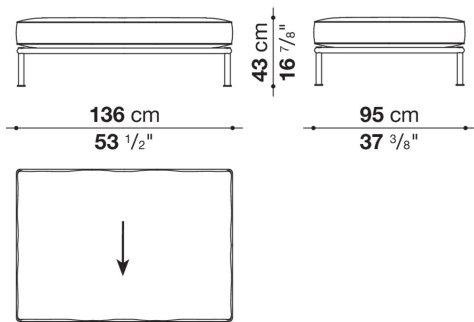
NH95PQ



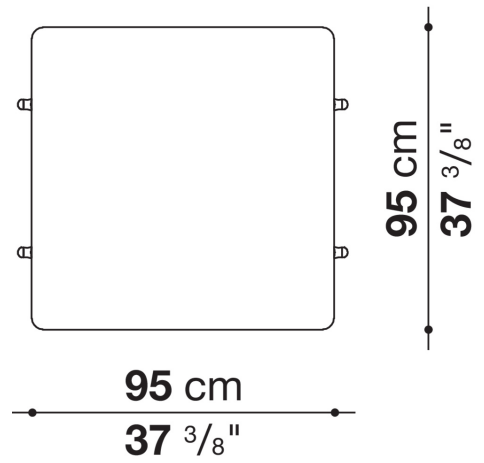
NH95P



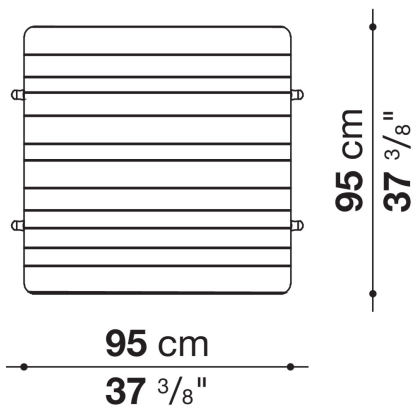
NH136P



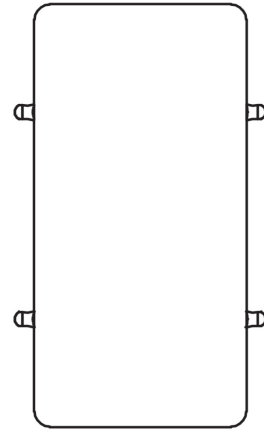
NH1P



NH1P_L



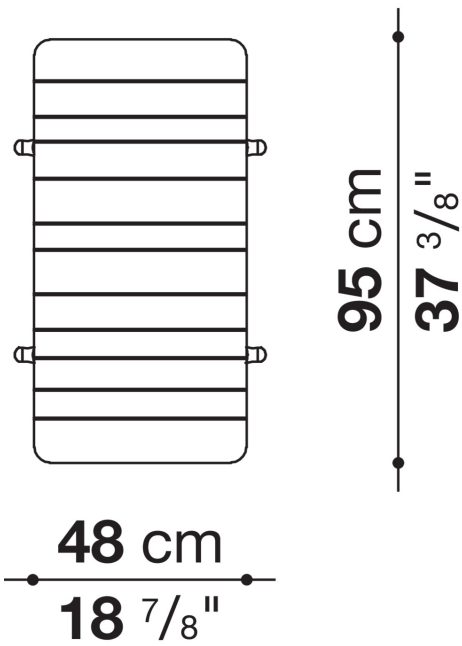
NH2P



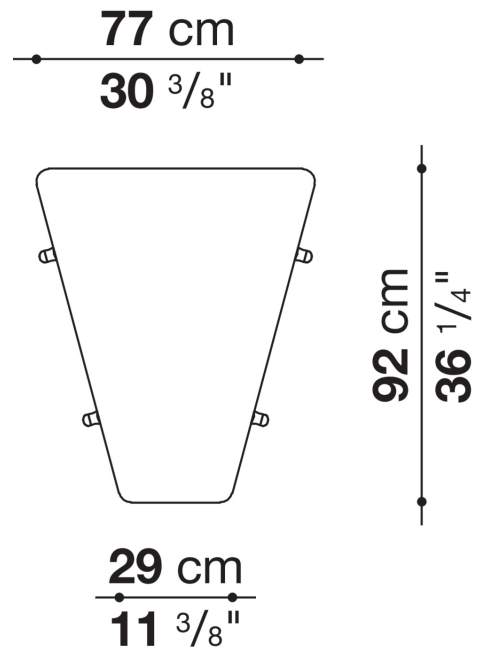
48 cm
18 ⁷/₈''

95 cm
37 ³/₈''

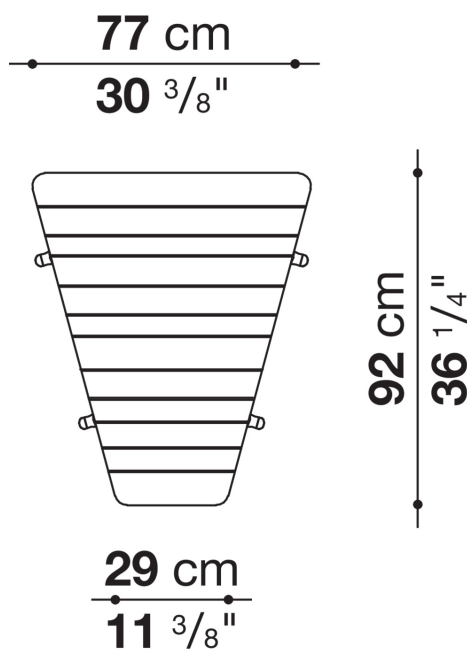
NH2P_L



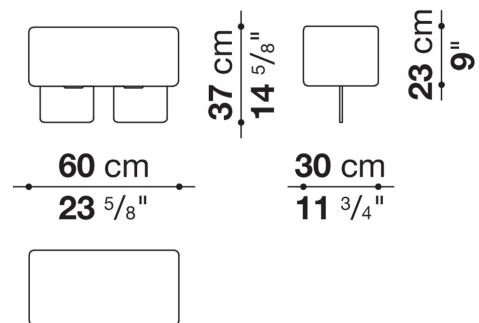
NH3P



NH3P_L



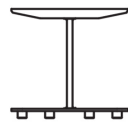
NH60_SB



TNH32_L



28 cm
11"



32 cm
12 5/8"

32 cm
12 5/8"

