

# Ginepro

TABLES

2020

Antonio Citterio



## Description

---

The Ginepro table is made with an anthracite painted aluminium structure and a Serpentine stone top, extremely durable and precious. With its two shapes (round and rectangular with rounded corners) and different dimensions, it lends itself to be placed in different outdoor environments: terraces, verandas, patios and gardens.

## Technical information

---

**Top**

Serpentine stone

**Frame**

die-cast aluminium and extrusions with polyurethane painting

**Ferrules**

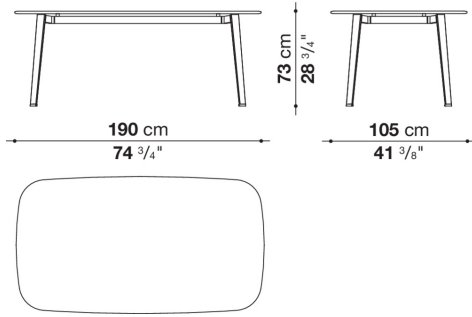
thermoplastic material

**Waterproof cover cloth**

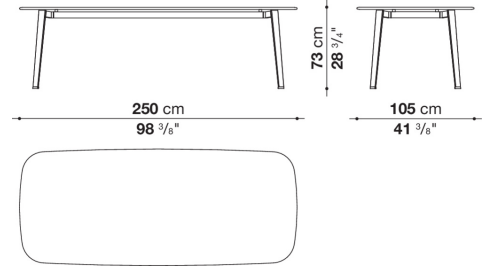
PES fabric coated on one side in PU

# Technical drawings

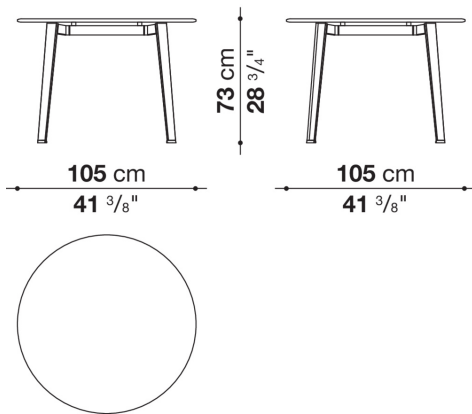
**TGS190**



**TGS250**



**TGS105R**



**TGS140R**

