

Crinoline

ARMCHAIRS

2008

Patricia Urquiola



Description

With its enveloping, feminine lines, Crinoline is a series of outdoor seats whose very name echoes romantic nineteenth-century ladies' skirts. The armchair with a high backrest is characterised by a wide hollow base, also echoed in the seat and in the curvature of the back. It comes in two versions: with a polyethylene fibre interlacing, or in two colours of abaca for base and seat. In the latter version, the backrest is made even more precious and romantic by a floral interlacing motif. The small armchair is characterised by a curved double shell silhouette with polyethylene fibre interlacing. The seat cushion is upholstered in a wide range of outdoor fabrics. The Crinoline series also includes small armchairs, chairs and stools.

Technical information

Seat and back frame

aluminium with polyester powder painting

Seat cushion/Seat and back cushion

shaped polyurethane, cover in water repellent polyester fibre

Seat cushion (C5P-C5C)

shaped polyurethane, cover in water repellent polyester fibre (with heat-sealed ribbon)

Interlacing

polyethylene fibre or abaca

Ferrules

thermoplastic material

Waterproof cover cloth

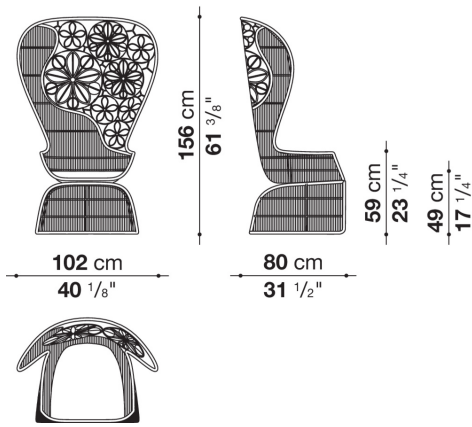
PES fabric coated on one side in PU

Cover

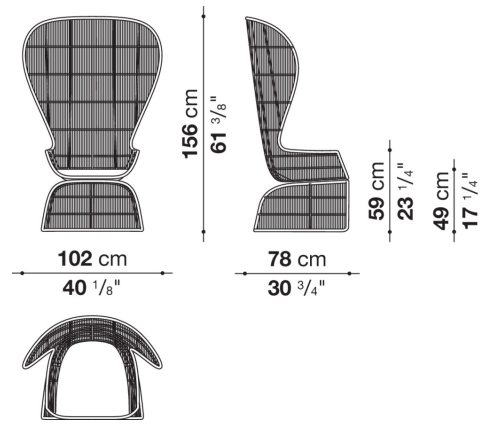
fabric in limited categories

Technical drawings

C5C



C5P



C3P

