

Caratos

OTTOMAN

2018

Antonio Citterio



Description

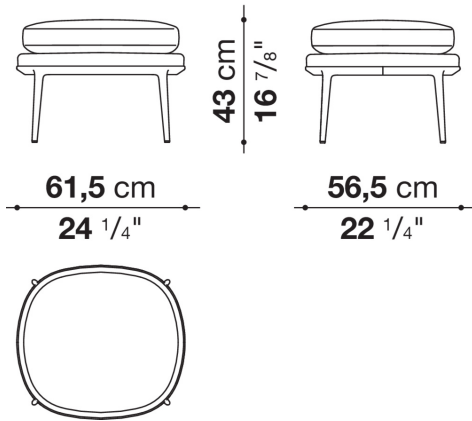
The Caratos ottomans are versatile furnishings that adapt to a vast range of furnishing styles and contexts. They stand out for their openly contemporary nature and for the detail on the base, which recurs throughout the entire Caratos collection: an iconic frame with slender die-cast aluminium legs available in a range of finishes. The ottomans are available with or without the seat cushion and upholstered either in fabric or in leather.

Technical information

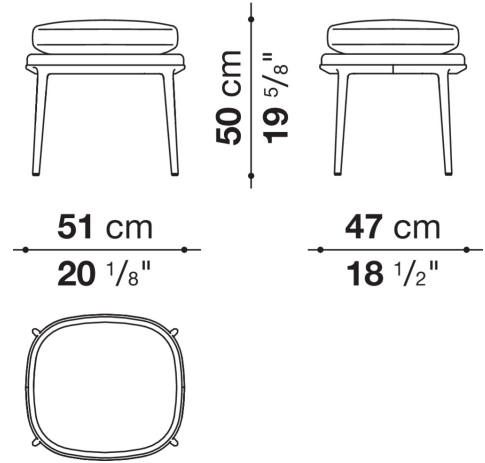
Shell
polypropylene
Shell upholstery
Bayfit® flexible cold shaped polyurethane foam
Support frame
melting in aluminium alloy
Ferrules
plastic material
Cover
fabric or leather

Technical drawings

PCA62



PCA51B



CA43P

