

Butterfly

SOFAS

2015

Patricia Urquiola



Description

The Butterfly modular outdoor seating system gets its name from the “butterfly” shape created by the outer corner that joins the armrest and the backrest. With its generous, sinuous lines, it responds effectively to the need for modularity and comfort, offering a free and informal use. Its modular structure is shaped around an ottoman, which is the base piece, and which, when integrated with the backrest and/or the armrest, becomes a central or terminal element, either to the left or right. The combination of these elements, using a simple joint system, makes it possible to freely set up versatile configurations, from in-line sofas to corner solutions, from front-facing to lounge layouts. Completely upholstered, Butterfly brings outdoors the quality and comfort that have always characterised the company’s indoor seating.

Technical information

Internal frame

tubular steel and steel profiles

Internal frame upholstery

Bayfit® flexible cold shaped polyurethane foam, water repellent polyester fibre cover (with heat-sealed ribbon)

Feet, ferrules and fixing elements

thermoplastic material

Waterproof cover cloth

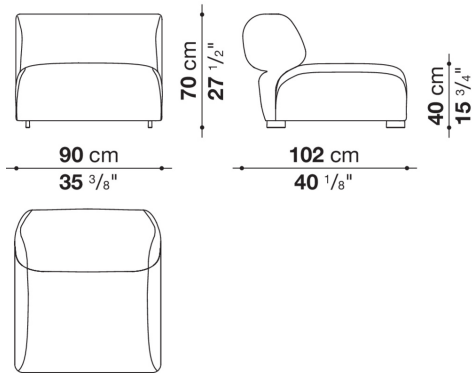
PES fabric coated on one side in PU

Cover

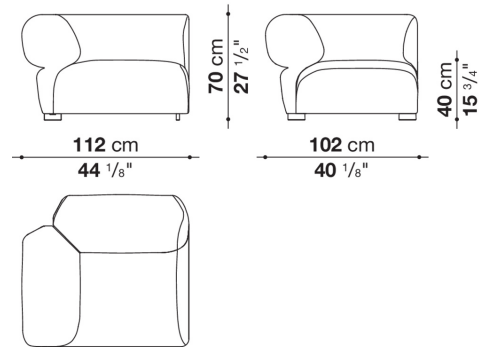
fabric in limited categories

Technical drawings

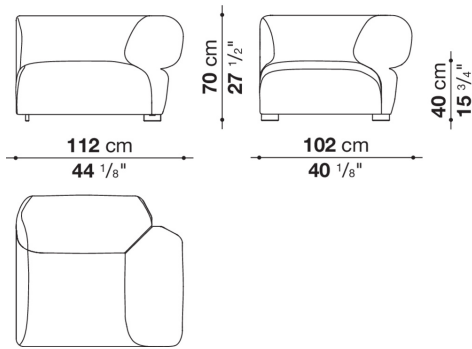
BT90C



BT112S



BT112D



BT90P

