

# Borea

SMALL TABLES

2021

Piero Lissoni



## Description

---

The Borea small tables for outdoor use offer refined support solutions that play with shapes, sizes and materials. They stand out for their thin frame in painted steel rod and tops in enamelled lava stone, both available in different colours.

## Technical information

---

**Frame**

tubular stainless steel

**Top**

enamelled lava stone

**Ferrules and spacers**

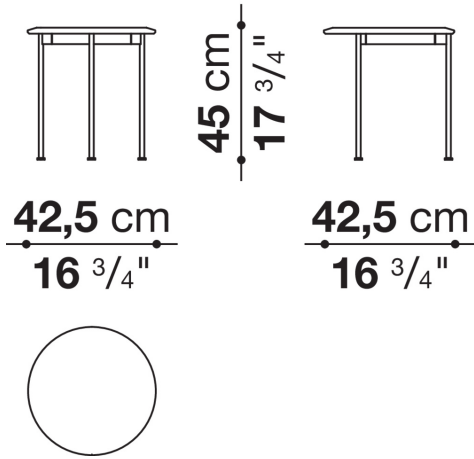
plastic material

**Waterproof cover cloth**

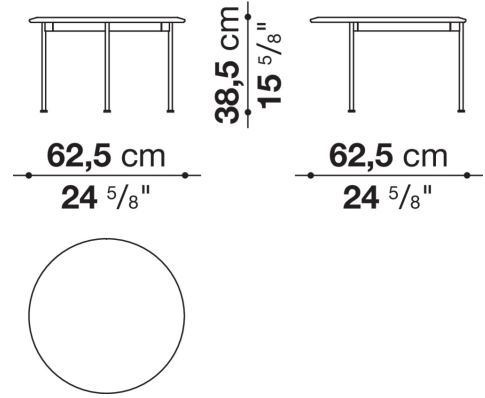
PES fabric coated on one side in PU

# Technical drawings

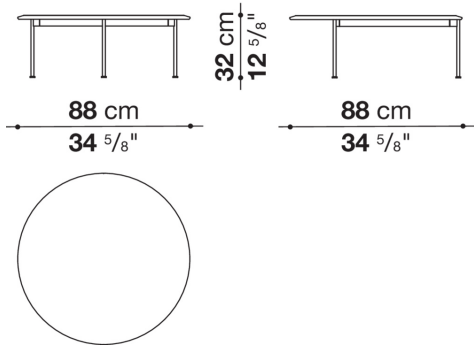
## TBE4



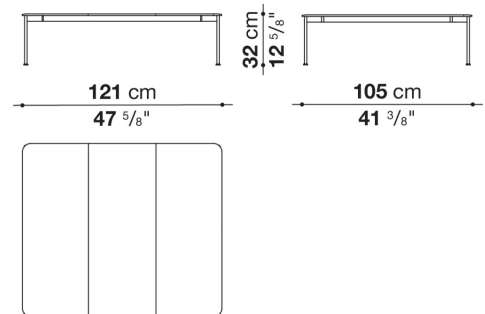
## TBE6



## TBE8



## TBE121



## TBE162

