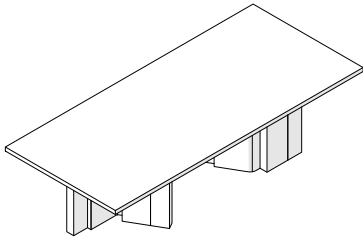


**ASSEMBLY INSTRUCTIONS**

170 IZAR DINING TABLE BY ANTHONY GUERREE



PARTS

1x Tabletop  
2x Leg frames

HARDWARE

(16x) M8x20 Countersunk screw



YOU WILL NEED

-5mm Allen Key  
-The help of a friend

NOTES

NOTE 1: Be certain that all assembly is carried out on a flat and stable surface. This will ensure a good final result. Reverse the steps to disassemble the piece.

NOTE 2: Your furniture arrives packed in numerous layers that protect it during transport. It is important that you remove the packaging carefully to avoid damaging your furniture. Refer to our information sheet "Unpacking Your Furniture" for further details.

NOTE 3: Great care is required when assembling our products. Use blankets to soften the assembly surface - hard surfaces such as wood or stone flooring may damage the furniture if in direct contact.

NOTE 4: We advise that assembly and disassembly of De La Espada furniture is undertaken by a minimum of 2 people.

NOTE 5: When screwing in bolts, tighten well, but be sure NOT TO OVERTIGHTEN. This can cause the thread to strip thus resulting in a poor connection.

NOTE 6: While you work, be sure all connections are flush with no gaps.

NOTE 7: After assembly, ensure that the table is resting on a level surface.

O  
1  
A  
N  
T  
H  
O  
N  
Y  
G  
U  
E  
R  
R  
E  
E

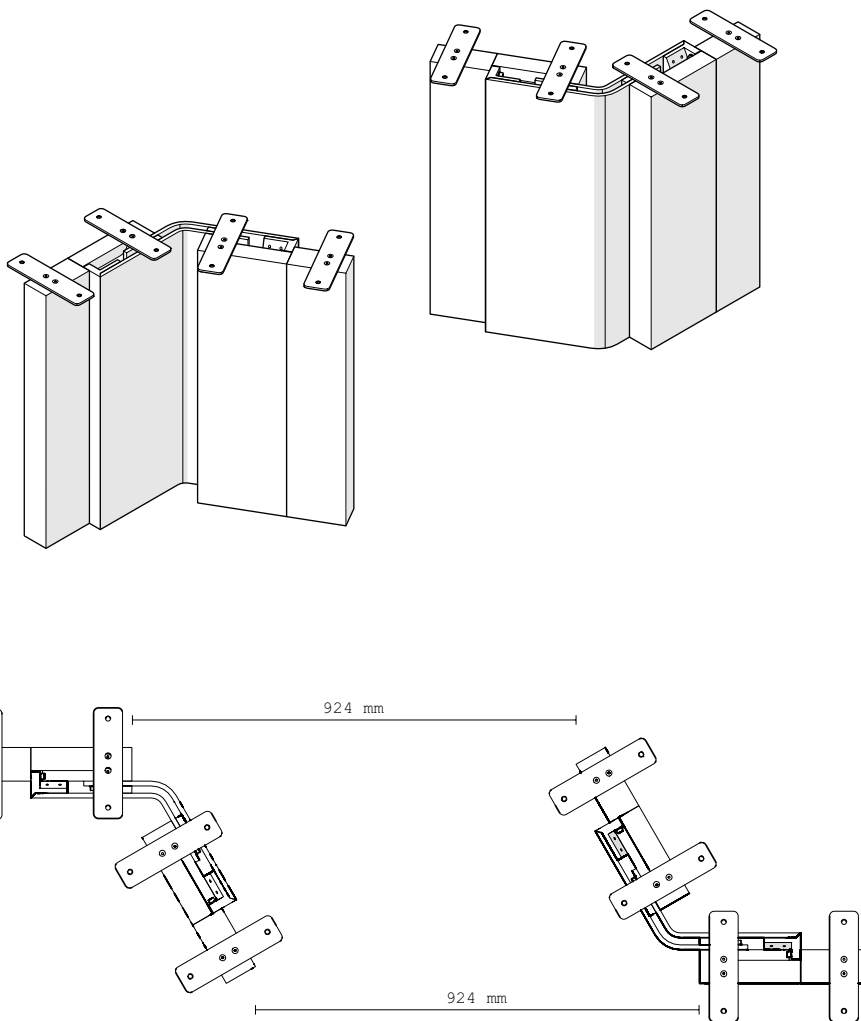
**ASSEMBLY INSTRUCTIONS CONTINUED**

170 IZAR DINING TABLE

INSTRUCTIONS

1) PLACE LEG FRAMES IN POSITION

a) Place the legframes upright on the floor in the orientation shown below. The legs should be placed 924mm (36 2/5") apart, as indicated in the lower drawing.



0

2

A

N

T

H

O

N

Y

G

U

E

R

R

E

E

**ASSEMBLY INSTRUCTIONS CONTINUED**

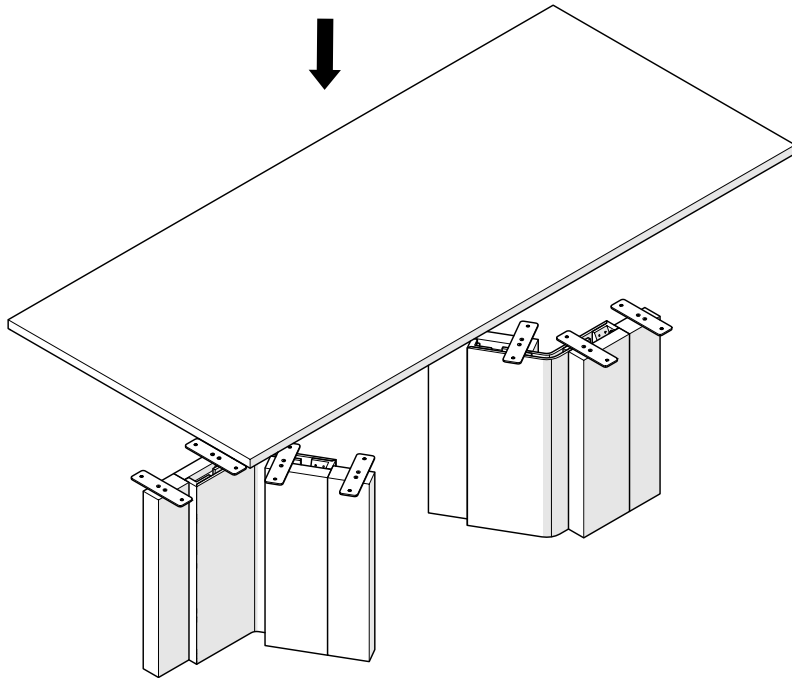
170 IZAR DINING TABLE

2) ATTACH THE TABLETOP TO THE LEG FRAMES

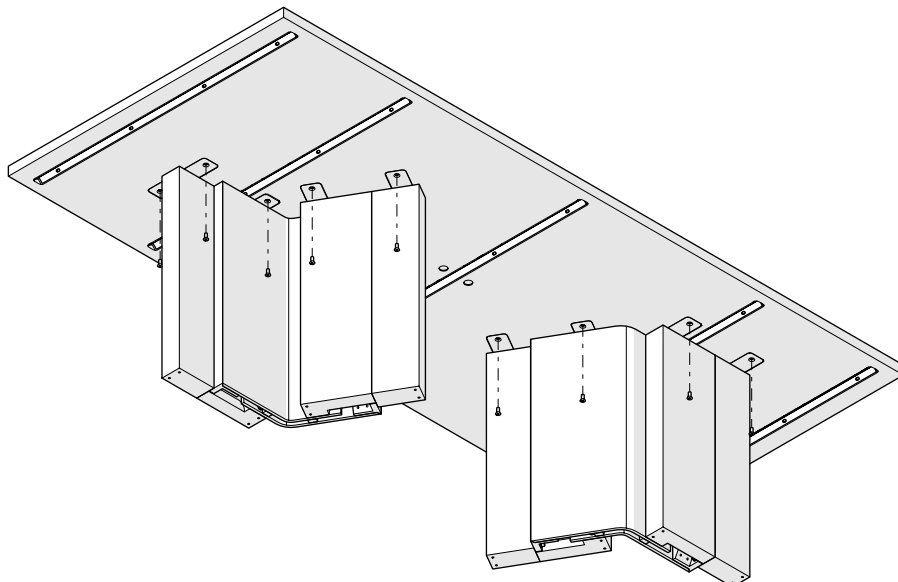
a) With the help of a friend, carefully lower the tabletop onto the legframes, aligning the pre-drilled holes on the underside of the tabletop with the holes in the leg hardware.

0  
3

A  
N  
T  
H  
O  
N  
Y  
G  
U  
E  
R  
R  
E  
E



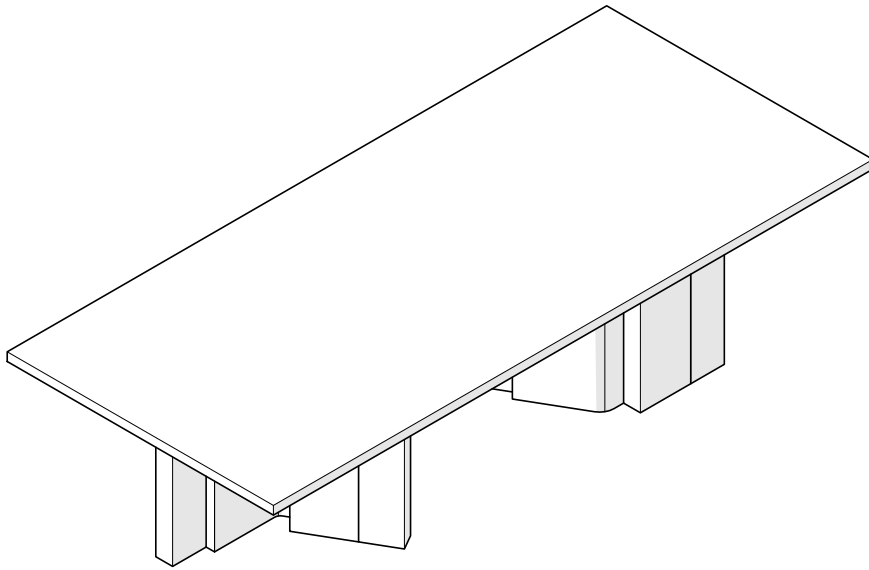
b) Insert an M8x20 Countersunk screw into each of the 16 holes where the legframe hardware meets the tabletop. Tighten firmly with an Allen Key.



**ASSEMBLY INSTRUCTIONS CONTINUED**

170 IZAR DINING TABLE

c) Assembly is now complete and the table is ready for use.



0  
4  
A  
N  
T  
H  
O  
N  
Y  
G  
U  
E  
R  
R  
E  
E